

## EMSE Medical Vacuum System

The EMSE Corporation medical vacuum system is a completely packaged NFPA 99 and NEC compliant assembly featuring the following: vacuum pumps, skid mounted layout, ASME receiver, U.L. listed control cabinet with HMI, and the accessories required to meet and exceed the current code requirements.

All components are piped and wired to single-point service connections. All interconnecting piping as well as wiring is complete and operationally tested prior to shipment. The only field connections are air intake, air discharge and power at the control panel. The medical vacuum system and its component parts undergo a complete electric and pneumatic test prior to shipment.

## Dry Rotary Vane Vacuum Pumps

The medical vacuum pumps are continuous duty, high efficiency, oil-less, rotary vane, air-cooled. Each vacuum pump is driven by a 3 phase, 60 cycle, TEFC NEMA C-face motor. Each vacuum pump is supplied with an inlet check valve, inlet isolation valve, safety relief valve, 2-micron inlet filter, vacuum switch, high discharge temperature switch, inlet and discharge flexible connectors and a shut-off cock for gauge and vacuum switches.

## Receiver

The system includes a vacuum receiver of ASME construction rated for 200PSI MWP. The tank is equipped with a vacuum gauge, three-way valved bypass and manual tank drain.

## Control Panel

The system includes a UL listed control panel built in a NEMA 12 enclosure.

A plug-in type of programmable controller with removable terminals allows quick and easy replacement in the field. The system is designed to function even if the PLC fails. If one of the pumps is out of service the system control shall omit that pump from the alternating cycle, automatically alternating between the remaining pumps. The system shall revert to normal automatic alternation when the condition is corrected. The system is also supplied with minimum run timers, and equipped with forced time alternation in the event the pump is unable to satisfy the demand in 30 minutes.

The vacuum pumps are controlled via a vacuum transducer. Lead / Lag back-up vacuum switches are included in the event of PLC or transducer failure.

Local "Backup in use" audible and visual alarms are provided per NFPA 99. The alarm includes an indicating light and horn. The audible alarm can be cancelled with the "Silence" button. The visual alarm remains energized until the problem is corrected. All control and alarm functions remain energized while any vacuum pump remains electrically on-line. Each alarm function includes dry contacts for connection to the master alarm panel.

The panel includes the additional following standard accessories for each pump:

- Externally operable circuit breakers with door interlocks
- Control circuit transformer with fused primary and secondary coils
- Lighted H-O-A switches
- Magnetic starter with 3 leg overload protection and reset switch
- Circuit breaker disconnects for each motor with external operators
- Full voltage motor starters with overload protection
- Vacuum switches are provided as a back-up to the vacuum transducer in the event of failure

## Human Machine Interface (HMI)

Each control panel features a state of the art, 7" touchscreen HMI with easy navigation through several screens. This provides current statuses and performance to the user, aids with troubleshooting, and houses important information about the system.

The HMI navigates to the following standard screens:

- Main screen with runtime hours, system status, pump status(es), system vacuum level
- Alarm screen with current and past alarms
- Settings screen to see pump on and off, minimum run time, forced alternation time, and maintenance service reminder setpoints
- Service screen which includes the service reminder reset, spare parts requests, rotation tests, and maintenance mode
- Ethernet connectivity, email notifications, Modbus protocol, and BACnet gateway capabilities
- Data collection trending for key values such as vacuum level, motor amperage, and equipment states

## Optional Control Panel Accessories

- 65kVa SCCR control panel ratings
- Soft starter
- 24V control panel circuit
- VFD
- Basic control panel with relay logic, vacuum switch control
- Remote access system monitoring

## Optional System Accessories

- Rust protection receiver lining
- Galvanized receiver
- Exhaust piping silencer
- Receiver gauge glass
- Bacteria inlet filter with flask

Please consult your EMSE representative for pricing and to see which optional add-ons are right for you. Custom requests will always be considered but not guaranteed to be fulfilled.

## Warranty

The medical vacuum system is guaranteed by the manufacturer for a period of 30 months from date of shipment from the factory or 24 months from date of start-up, (whichever comes first) against defects in design, materials, or construction. Please see the signed submittal for further warranty details.

## Dry Rotary Vane Pump Specifications

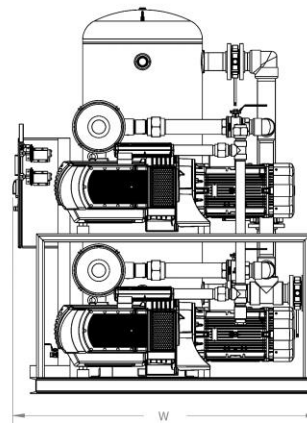
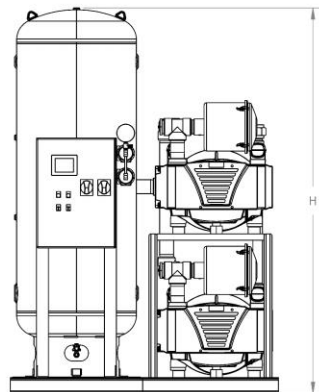
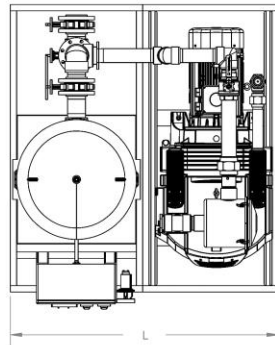
Pump Horsepower	Capacity (SCFM) @ 19"Hg		System Btu/hr	System dB(A) Level	System FLA			
	Pump	System			208V	230V	460V	380V (50 Hz)
<b>Duplex</b>								
1.5	6	6	3,818	69	8.7	8.2	4.9	5.2
2	10	10	5,090	73	15.7	15.0	6.9	8.0
3	14	14	7,635	79	18.9	17.4	8.7	9.8
4	16	16	10,180	80	27.5	26.6	13.3	12.6
5	21	21	12,725	81	32.8	31.6	15.8	17.0
5 [HC]	24	24	12,725	80	32.8	31.6	15.9	16.7
7.5	33	33	19,088	82	52.7	47.6	23.9	25.2
10	62	62	25,450	82	70.3	68.8	34.5	37.4
12	82	82	30,540	82	88.7	80.2	40.1	46.8
15	98	98	38,175	83	108.7	103.8	51.9	58.2
<b>Triplex</b>								
1.5	6	12	7,635	71	13.0	12.2	7.3	7.8
2	10	21	10,180	75	23.5	22.4	10.3	12.0
3	14	29	15,270	81	28.3	26.0	13.0	14.7
4	16	32	20,360	82	41.2	39.8	19.9	18.9
5	21	42	25,450	83	49.1	47.4	23.7	25.4
5 [HC]	24	48	25,450	82	49.2	47.4	23.8	25.1
7.5	33	67	38,175	84	79.0	71.4	35.9	37.8
10	62	124	50,900	84	105.4	103.2	51.8	56.1
12	82	164	61,080	84	133.0	120.3	60.2	70.2
15	98	196	76,350	85	163.0	155.7	77.9	87.3
<b>Quadraplex</b>								
10	62	186	76,350	85	140.6	137.6	69.0	74.8
12	82	246	91,620	85	177.4	160.4	80.2	93.6
15	98	294	114,525	86	217.4	207.6	103.8	116.4
<b>Hexaplex</b>								
10	62	248	101,800	86	175.7	172.0	86.3	93.4
12	82	328	122,160	86	221.7	200.5	100.3	116.9
15	98	392	152,700	87	271.7	259.5	129.8	145.4

**Notes:**

- System capacity shown is with one pump in reserve, per NFPA 99
- All values assume 60Hz motors
- To convert free air capacity (SCFM) to expanded air capacity (ACFM) at 19"Hg, multiply SCFM by 2.74
- Maximum recommended ambient temperature: 95°F for standard systems

### Model Dimensions

Duplex, Dry Rotary Vane Pumps, Vertical Stack Mounted  
7.5-15 Horsepower Pumps, 120-240 Gallon Tank



System Model Number	Pump hp	System Inlet Connection	System Exhaust Connection	Tank (gal)	Dimensions (inches)			Weight (pounds)
					L	W	H	
1DDV7.5VS120	7.5	1 1/2"	2"	120	64	52	82	1,800
1DDV7.5VS200	7.5	1 1/2"	2"	200	64	52	87	2,060
1DDV7.5VS240	7.5	1 1/2"	2"	240	64	52	99	2,130
1DDV10VS120	10	2"	2 1/2"	120	64	60	82	2,410
1DDV10VS200	10	2"	2 1/2"	200	64	60	87	2,680
1DDV10VS240	10	2"	2 1/2"	240	64	60	99	2,740
1DDV12VS120	12	2 1/2"	2 1/2"	120	76	72	82	3,320
1DDV12VS200	12	2 1/2"	2 1/2"	200	76	72	87	3,580
1DDV12VS240	12	2 1/2"	2 1/2"	240	76	72	99	3,650
1DDV15VS120	15	4"	4"	120	76	72	82	3,260
1DDV15VS200	15	4"	4"	200	76	72	87	3,520
1DDV15VS240	15	4"	4"	240	76	72	99	3,590

**Notes:**

- Dimensions are subject to change
- Allow 36" clearance in front of control panel and 24" clearance on all other sides
- Custom dimensions/models will be considered upon request, but not guaranteed
- Maximum recommended ambient temperature: 95°F for standard systems