

12F/14F-1X Series

RJ45 10BASE-T JACK WITH MAGNETIC MODULES

FEATURES

- RJ-45 connector integrated with Filter
- Size same as RJ-45 connector to save PCB board space
- Reduce EMI radiation, Improve EMI performance
- Operating temperature range: 0°C to +70°C
- Storage temperature range: -40°C to +125°C



ELECTRICAL SPECIFICATIONS @25°C-Operating temperature 0°C TO 70°C

Part Number	Insertion Loss (dB MAX.)	Attenuation TX/RX(dB MIN)				Return Loss TX & RX @100Ω±15Ω (dB MIN)		Cross talk (dB MIN)	CMR (dB MIN)	Mechanical	Turns Ratio TX/RX (±5%)
		1-10MHz	20 MHz	25 MHz	30 MHz	40 MHz	1-10 MHz				
14F-10NW2	-1.0	-7/-5	-18/-11	-28/-16	-33/-26	—	-13.5	-30	-30	A	1CT:1.41/1CT:1
12F-10NW2	-1.0	-5/-4.2	-18/-11	-28/-16	-33/-26	—	-13.5	-30	-30	A	1CT:1CT/1CT:1CT
12F-10EGYDNW2	-1.0	-5/-4.2	-18/-11	-28/-16	-33/-26	—	-14	-30	-30	B	1CT:1CT/1CT:1CT
12F-10ANW2	-1.0	-5/-4.2	-18/-11	-28/-16	-33/-26	—	-15	-30	-30	A	1CT:1CT/1CT:1CT
12F-10BNW2	-1.0	—	—	-30/-20	—	-15	—	-30	—	A	1CT:1CT/1CT:1CT
12F-10CNW2	-1.0	-5/-4.2	-18/-11	-28/-16	-33/-26	—	-13.5	-30	—	A	1CT:1/1CT:1
12F-10DNW2	-1.0	-5/-4.2	-18/-11	-28/-16	-33/-26	—	-15	-30	—	A	1CT:1/1CT:1
12F-11NW2	-1.15	-5/-4.2	-18/-11	-28/-16	-33/-26	—	-17 Typ	-30	-30	A	1.414:1CT/1CT:1CT
12F-11YGD2	-1.0	—	—	-30/-18	—	-15	—	-30	—	C	1CT:1.41CT/1CT:1CT
12F-11ANW2	-1.0	-5/-4.2	-18/-11	-28/-16	-33/-26	—	-17 Typ	-30	-30	A	1CT:1CT/1CT:1CT
12F-12NW2	-1.15	-5/-4.2	-18/-11	-28/-16	-33/-26	-13.5	—	-30	-30	A	1:2CT/1CT:1CT
12F-12ANW2	-1.15	-5/-4.2	-18/-11	-28/-16	-33/-26	-13.5	—	-30	-30	A	1:1.414CT/1CT:1CT
12F-14NW2	-1.0	—	—	—	—	—	-15	—	-25	A	1CT:2.5/1CT:1
12F-15BPND2	-1.0	-7/-6	-19/-14	-30/-20	-32/-31	—	-17	-30	—	D	1CT:1CT/1CT:1CT
12F-16BPND2	-1.0	—	—	-30/-18	—	-15	—	-30	—	D	1CT:1CT/1CT:1CT

Part Number:

12F - 10E GYD NW 2 NL
A B C D E F

A:Series
B:Schematics
C:Led
D:Mechanical
E:Gold Plating:1=3u",2=6u",3=15u",4=30u",5=50u"
F:RoHS version

Isolation Voltage: 1500Vrms/0.5mA/2Sec
CUT-OFF FREQUENCY(Tx/Rx):17MHz TYP.(@-3dB)

MATERIALS

1.Housing Material:

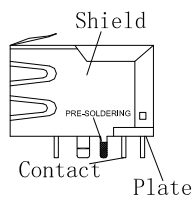
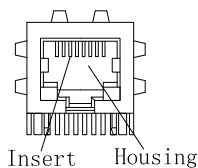
MATERIAL:NYLON +25% GF (Fr50) UL94V-0
STANDARD COLOR:BLACK

2.Insert Material:

MATERIAL:Phos-Bronze
C5210 EH--0.35mm Thickness
Insert -PBT+30% GF UL94V-0

- 1.PLATING(1) NICKEL
- 2.PLATING(2) 100%Sn
- 3.PLATING(3) GOLD FLASH (3u " ~50u ")

3.Plate Material:PBT-4830 +30% GF UL 94V-0



4.Contact pin Material:

MATERIAL: Phos-Bronze C5191--0.35mm Thickness

- 1.PLATING(1) NICKEL
- 2.PLATING(2) 100%Sn

5.Shielding Material:

BRASS C2680 PLATING NICKEL

- 6.Operation Life : 750 Cycles Min.
7. MATES WITH MODULAR PLUG CONFORMING TO FCC PART 68,SUBPART E.

DABURN

DABURN ELECTRONICS & CABLE

44 Richboynton Road, Dover, New Jersey 07801 U.S.A.

Tel: (973)328-3200 Fax: (973)328-3130 - Email: daburn@daburn.com - Website: www.daburn.com

Ver. 2010-04-17

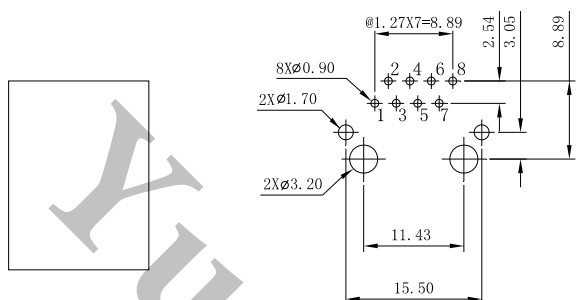
12F/14F-1X Series

RJ45 10BASE-T JACK WITH MAGNETIC MODULES

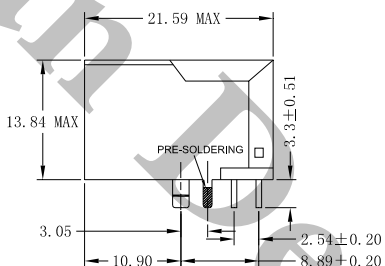
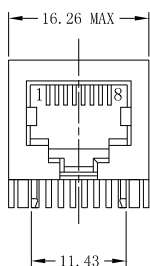


Mechanical and Dimension

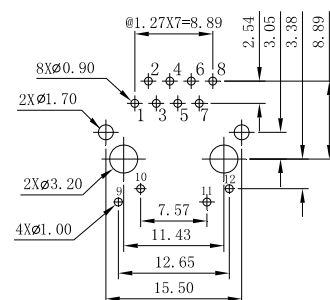
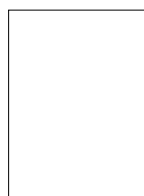
A



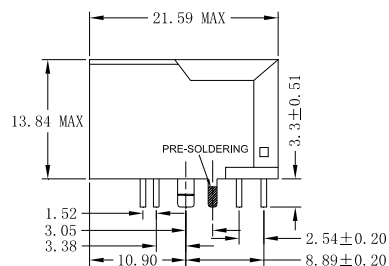
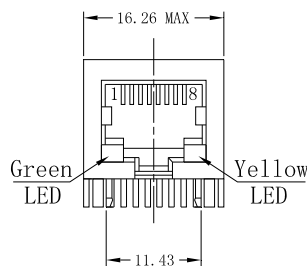
PC Board Layout
Component Side Shown



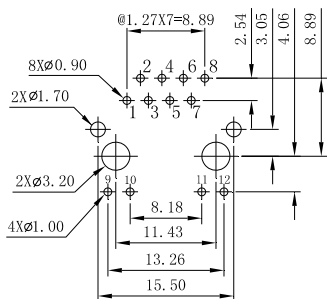
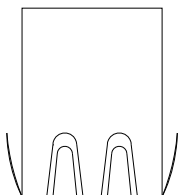
B



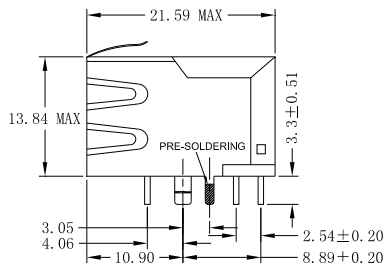
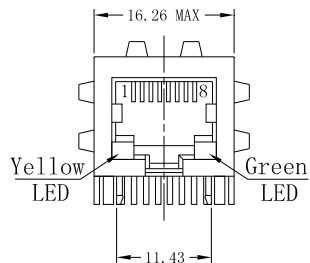
PC Board Layout
Component Side Shown



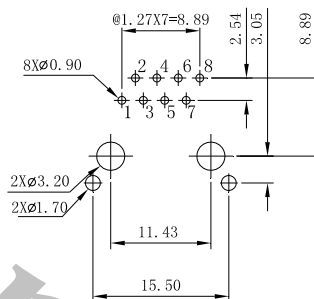
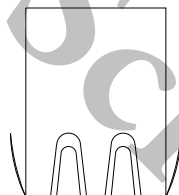
C



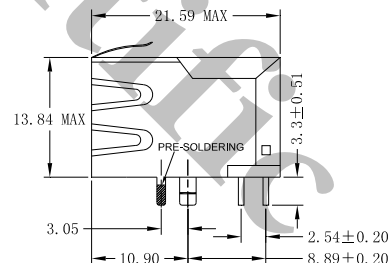
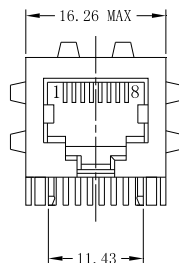
PC Board Layout
Component Side Shown



D



PC Board Layout
Component Side Shown



UNIT : mm Unless otherwise specified, all tolerances are ±0.25



DABURN ELECTRONICS & CABLE

44 Richboynton Road, Dover, New Jersey 07801 U.S.A.

Tel: (973)328-3200 Fax: (973)328-3130 - Email: daburn@daburn.com - Website: www.daburn.com

Ver. 2010-04-17

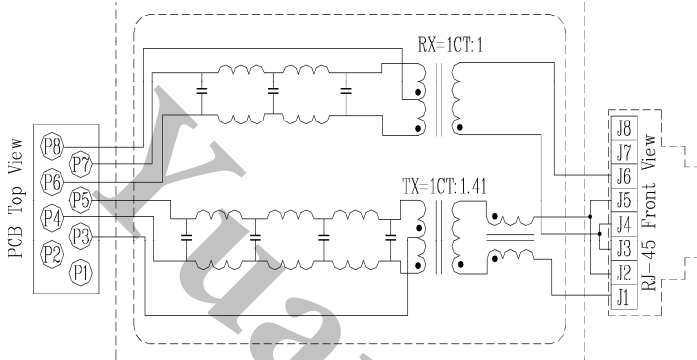
12F/14F-1X Series

RJ45 10BASE-T JACK WITH MAGNETIC MODULES

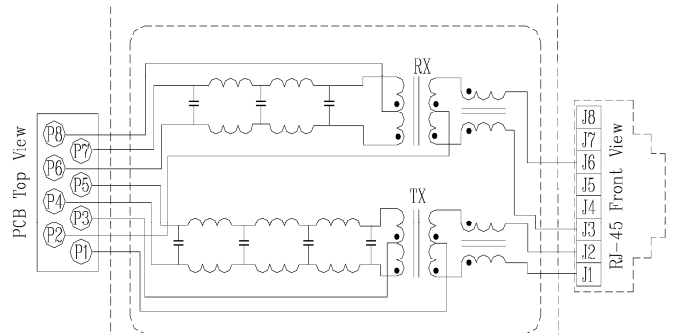


SCHEMATICS

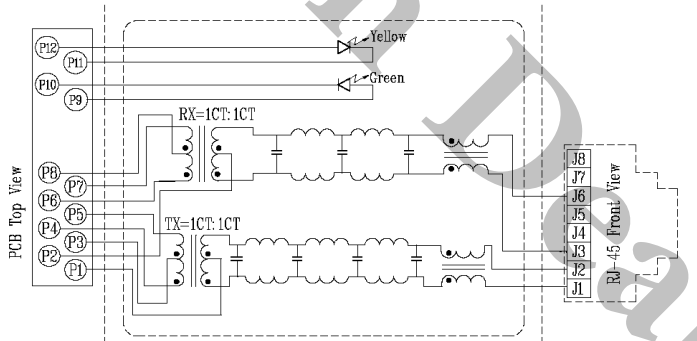
14F-10



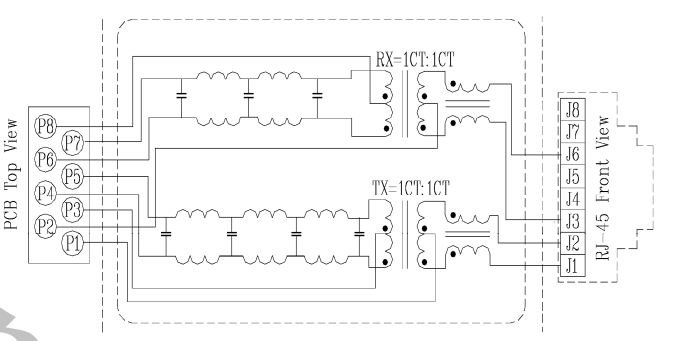
12F-10



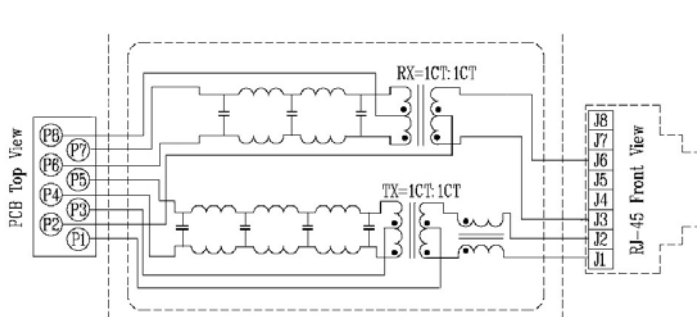
12F-10E



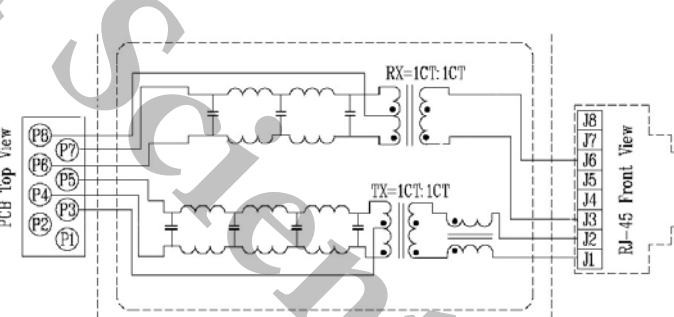
12F-10A



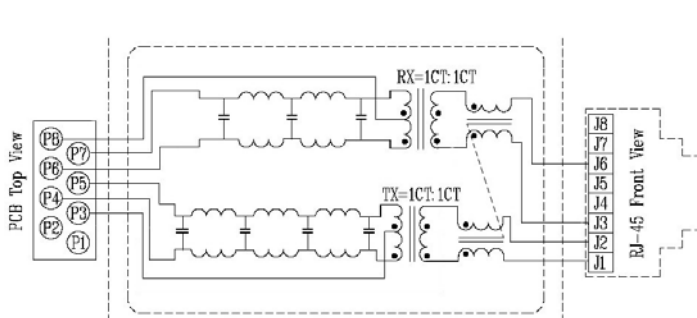
12F-10B



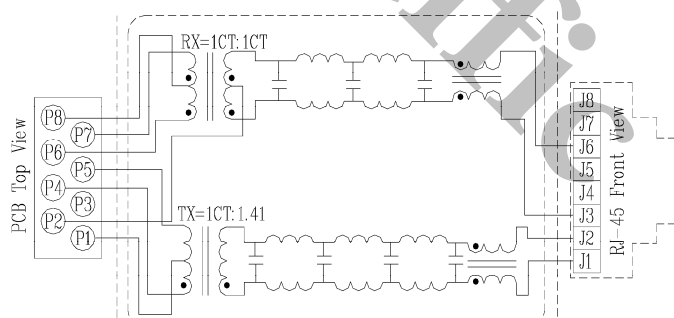
12F-10C



12F-10D



12F-11



DABURN ELECTRONICS & CABLE

44 Richboynton Road, Dover, New Jersey 07801 U.S.A.

Tel: (973)328-3200 Fax: (973)328-3130 - Email: daburn@daburn.com - Website: www.daburn.com

Ver. 2010-04-17

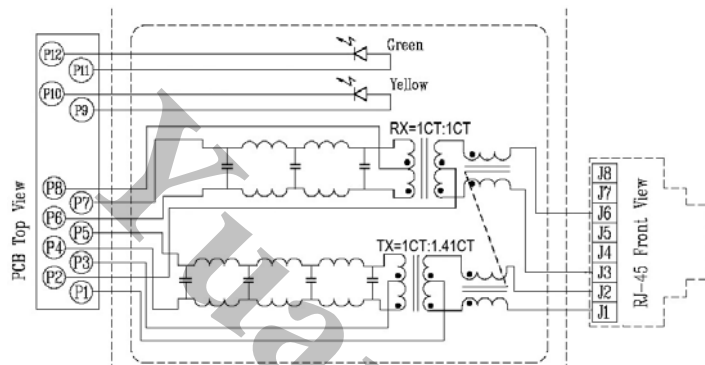
12F/14F-1X Series



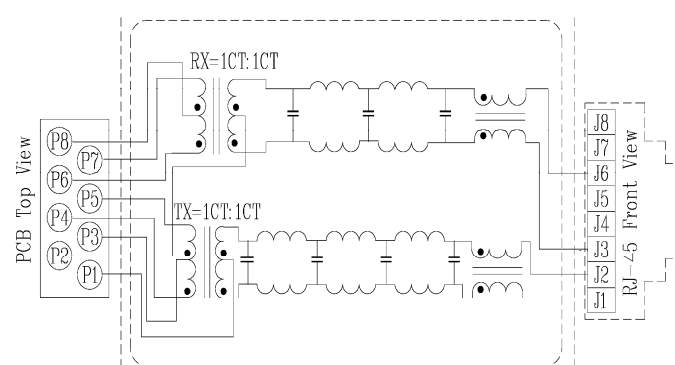
RJ45 10BASE-T JACK WITH MAGNETIC MODULES

SCHEMATICS

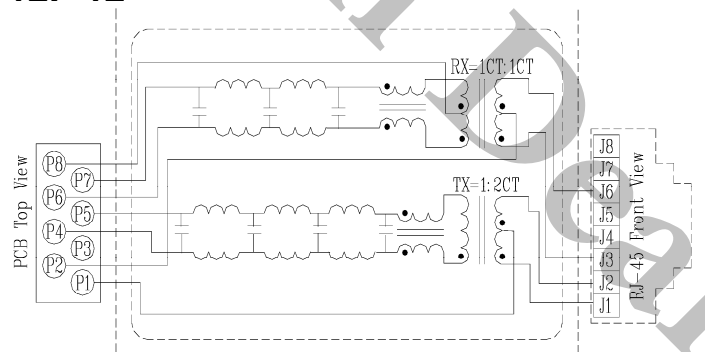
12F-11YGD



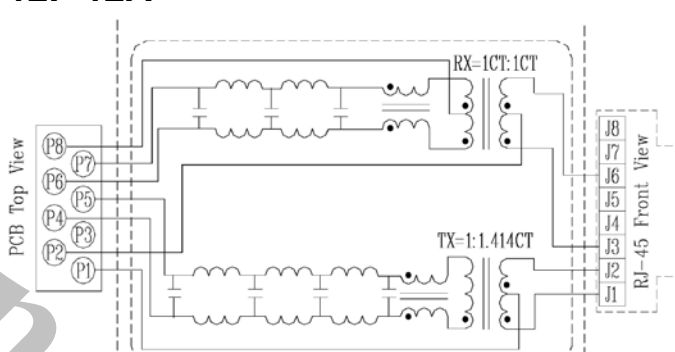
12F-11A



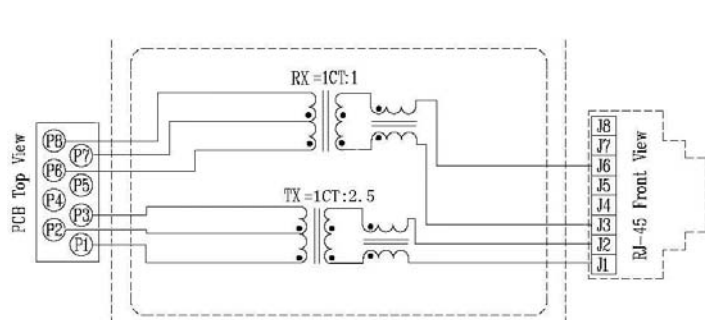
12F-12



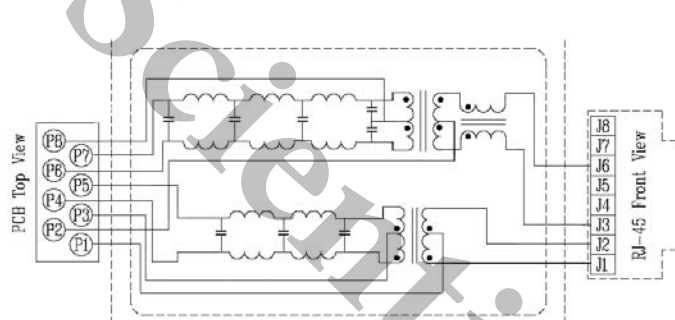
12F-12A



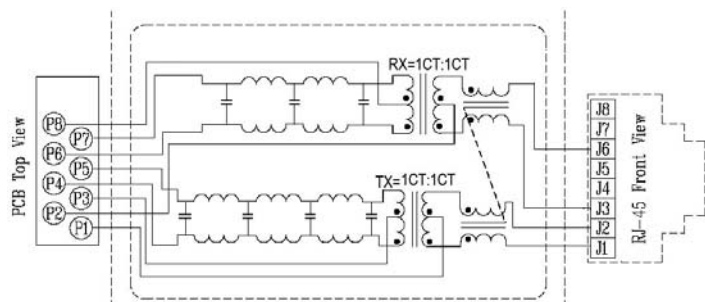
12F-14



12F-15



12F-16



DABURN ELECTRONICS & CABLE

44 Richboynton Road, Dover, New Jersey 07801 U.S.A.

Tel: (973)328-3200 Fax: (973)328-3130 - Email: daburn@daburn.com - Website: www.daburn.com

Ver. 2010-04-17