



# AC-DC CONVERTER

## UNIVERSAL INPUT, 5-6 WATTS

### SINGLE OUTPUT

#### UIL5 SERIES



#### FEATURES

- Universal Input 90-264Vac
- High Efficiency (up to 80%)
- Dimensions: 1.37" × 1.0" × 0.7"
- Protection: Short Circuit/ Overload
- Internal Input Filter
- 2 Year Warranty
- RoHS Compliant
- Safety Approvals: UL60950-1, IEC60950-1

#### SELECTION GUIDE

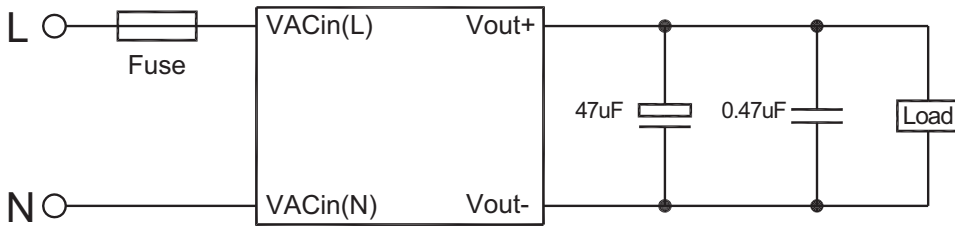
All specifications are typical at 230Vac input, full load and 25°C, unless otherwise noted.

Output Wattage W	Output Voltage Vdc	Output Current mA	Ripple & Noise mV (Max.)	Efficiency %	Model Number
3.3	3.3	1000	150	70	UIL5-33S
5	5	1000	150	70	UIL5-5S
5	6	830	150	70	UIL5-6S
5	7	715	150	72	UIL5-7S
5	8	625	150	72	UIL5-8S
5	9	555	150	75	UIL5-9S
5	10	500	150	75	UIL5-10S
6	12	500	150	75	UIL5-12S
6	13	460	150	76	UIL5-13S
6	14	430	150	76	UIL5-14S
6	15	400	150	76	UIL5-15S
6	16	375	150	76	UIL5-16S
6	18	335	150	78	UIL5-18S
6	24	250	240	78	UIL5-24S
6	27	220	240	78	UIL5-27S
6	36	165	240	80	UIL5-36S
6	48	125	240	80	UIL5-48S



**UIL5 SERIES**

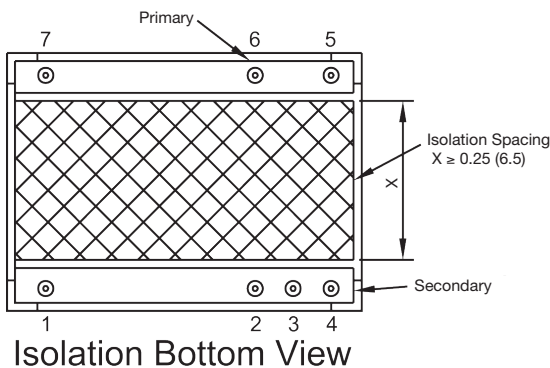
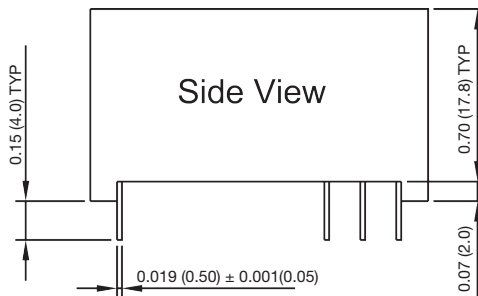
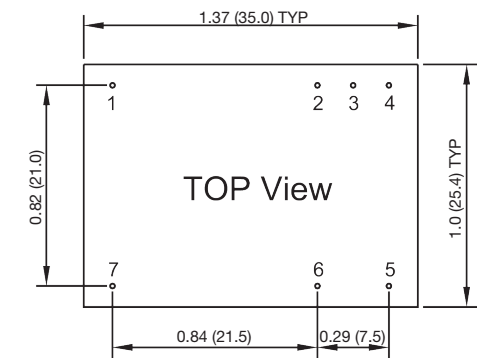
**Recommended Application Circuit**



**Note:**

1. Fuse: 1A/250V (Slow blow).
2. Ripple & noise is measured by using 20 MHz bandwidth, measured with a 47µF paralleled with a high-frequency 0.47µF capacitor across each output by full load.

**Mechanical Drawing**



**PIN CONNECTION**

PIN	DEFINE
1	NC
2	+Vo
3	-Vo
4	NC
5	L
6	N
7	NC

1. All dimensions in inches (mm)
2. All tolerances are ±0.50